



# MTK

Multijet domestic water meter



## Your benefits

- Long service life, robust domestic water meter:  
**Excellent measuring stability and reliability**
- Measurement of low flow rates:  
**Increased cost effectiveness**

## Applications

- The MTK domestic water meter is suited for consumption reading of low to middle flow rate measurement typically in the utilities sector

## Properties

- Multijet impeller wheel, super dry-dial, magnetic coupling
- Q<sub>3</sub> 2,5: Measuring range R100
- Q<sub>3</sub> 4-25: Measuring range R160
- Easy to read roller counter due to large white figures on black background
- 5 dial resolution without comma place
- Maximum operation pressure PN 16 bar
- Maximum operating temperature 30 °C
- Horizontal or vertical installation (Vertical riser/down pipe)
- High grade wear resistant and corrosion proof materials
- Inlet strainer
- Reconditionable and recyclable execution
- Materials suited for contact with potable water
- CE Conformity according to European Measuring Instruments (MID)

## Options

- MTKcoder® MP-register for remote readout  
📄 [Documentation: MTKcoder® MP - EPe10121](#)

# Technical Data

Execution			MTK (horizontal)						MTK-VS or -VF (vertical) <sup>1)</sup>			
<b>Nominal diameter</b>	<b>DN</b>	<b>mm</b>	<b>15</b>	<b>20</b>	<b>25</b>	<b>32</b>	<b>40</b>	<b>50</b>	<b>20</b>	<b>25</b>	<b>32</b>	<b>40</b>
Connection thread on meter	G...B	Inch	1	1	1¼	1½	2	2¾	1	1¼	1½	2
Connection thread on coupling	R...	Inch	¾ <sup>2)</sup>	¾ <sup>2)</sup>	1	1¼	1½	2	¾ <sup>2)</sup>	1	1¼	1½
<b>Operating pressure</b>	<b>PN</b>	<b>bar</b>	<b>16</b>									
<b>Nominal flow rate</b>	<b>Q3</b>	<b>m³/h</b>	<b>2,5</b>	<b>4</b>	<b>6,3</b>	<b>10</b>	<b>16</b>	<b>25</b>	<b>4</b>	<b>6,3</b>	<b>10</b>	<b>16</b>
Overload flow rate <sup>3)</sup>	Q4	m³/h	3,125	5	7,875	12,5	20	31,25	5	7,875	12,5	20
Transitional flow rate ±2%	Q2	m³/h	0,04	0,04	0,063	0,1	0,16	0,25	0,04	0,063	0,1	0,16
Minimum flow rate ±5%	Q1	m³/h	0,025	0,025	0,039	0,062	0,1	0,156	0,025	0,039	0,062	0,1
Smallest readable volume		l	0,05									
Maximum register reading		m³	100'000									
Temperature		max. °C	30									
Measuring range			R100	R160	R160	R160	R160	R160	R160	R160	R160	R160

Dimension an weights			MTK (horizontal)						MTK-VS or -VF (vertical) <sup>1)</sup>			
<b>Length without couplings</b>	<b>A</b>	<b>mm</b>	<b>165</b>	<b>190</b>	<b>260</b>	<b>260</b>	<b>300</b>	<b>300</b>	<b>105</b>	<b>150</b>	<b>150</b>	<b>200</b>
Length with couplings		mm	257	282	352	372	432	452	197	242	262	332
Total height	B	mm	116	116	135	135	149	163	-	-	-	-
Total height with Reed pulser	B1	mm	131	131	150	150	164	178	-	-	-	-
Meter height from pipe centre line	C	mm	76	76	89	89	103	106	-	-	-	-
Meter height with Reed pulser from pipe centre line	C1	mm	91	91	104	104	118	121				
Meter depth	D	mm	-	-	-	-	-	-	148	169	183	226
Meter depth from pipe centre line	E	mm	-	-	-	-	-	-	130	143	156	190
Meter width	F	mm	95	95	100	100	135	151	95	98	101	139
Meter height with open lid	G	mm	193	193	212	212	226	240	-	-	-	-
Weight without couplings		app. kg	1.9	1.9	2.6	2.7	5.4	6.7	-	-	-	-
Weight without couplings MTK-VS		app. kg	-	-	-	-	-	-	1.9	3.0	3.0	6.0
Weight without couplings MTK-VF		app. kg	-	-	-	-	-	-	2.0	3.4	3.7	7.3
Weight with couplings		app. kg	2.2	2.2	3.1	3.4	6.5	8.3	-	-	-	-
Weight with couplings MTK-VS		app. kg	-	-	-	-	-	-	2.2	3.5	3.7	7.1
Weight with couplings MTK-VF		app. kg	-	-	-	-	-	-	2.3	3.9	4.4	8.4

Certifications	MTK (horizontal)						MTK-VS or -VF (vertical) <sup>1)</sup>			
SVGW certification	X	X	X	X	X	X	X	X	X	X
UBA Brass (DIN 50930-6)	X	X	X	X	X	X	X	X	X	X
KTW / W270	X	X	X	X	X	X	X	X	X	X
NSF-61-G & 372	-	-	X <sup>4)</sup>	-	X <sup>4)</sup>	-	-	-	-	-

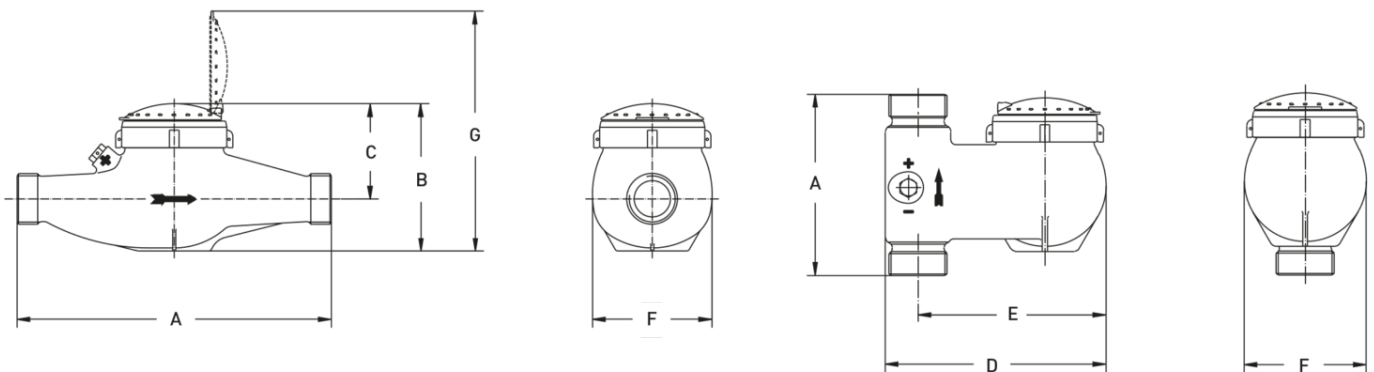
1) -VS = Vertical riser / -VF = Vertical down pipe 2) Also supplied with couplings R<sup>1</sup>/<sub>2</sub> 3) Max. 1 h per 24 h, with max. total time of 100 h 4) only in NPSM execution

## Information

EU-REACH Art. 33 / ChemV Art. 71

Brass products contain lead > 0,1 %

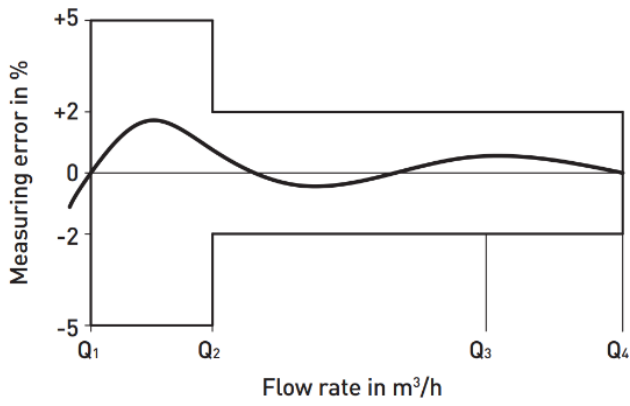
## Massbilder



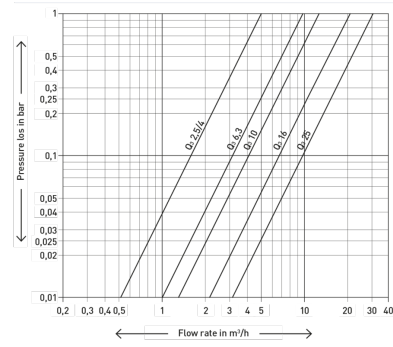
## Werkstoffe

Gehäuse:	UBA Messing (DIN 50930-6)
Werkbecher:	UBA Messing (DIN 50930-6)
Flügelrad/Messeinsatz:	Hochwertige Kunststoffe
Lagerung:	Hartmetall, Saphir, Chromnickelstahl
Dichtungsmaterial:	EPDM

## Measuring error curve



## Typical Head Loss Curve



## Installation

<b>Pipeline:</b>	horizontal	—
	vertical	
<b>Meter head:</b>	upwards	↑

## Installation Requirements

The meter must be installed so that the type plate is always horizontally positioned, facing upwards (do not tilt).

📁 **Documentation: GWF Water meter - BAdfei10207**