



with RCM[®]-H200 compact - NTEP

Singlejet meter



Your benefits

- Utility grade and sustainable technology (robust & high grade wear resistant materials with brass body):
Excellent measuring stability and reliability over meter lifetime and awareness
- NFC Tap and go:
Simple commissioning process
- Plug & Play:
Easy and fast activation in LoRaWAN (no programming required)
- Performance driven design:
Range up to 25 miles (line of sight)
- Integrated monitoring of connectivity and reconnecting mechanism:
Robust operation with automatic repair options, e.g. due to gateway failures

Applications

- Manufactured Homes for consumption monitoring of water and identification of critical events

Properties

- Singlejet dry-dial meter with magnetic coupling
- Inlet strainer
- Horizontal or vertical installation
- Sealed register for tamper resistance
- NTEP Approval CC 19-019A2
- NSF/ANSI 61-G & 372 certified and marked
- Meets AWWA C712 accuracy standards in horizontal and vertical position
- Protection class IP68
- LoRaWAN transmission in license free 915 MHz frequency band
- Data security via AES-128-bit end-to-end encryption over 2 independent security layers
- Typical battery lifetime up to 15 years
- ADR (adaptive data rate) support gives higher transmission intervals with consistent battery life

Technical Data

Nominal pipe size			
Nominal pipe size			3/4"
Max. operating pressure			
Max. operating pressure		psi	230
Connection thread on meter		Inch	1" NPSM
Permanent flow rate			
Permanent flow rate		gpm	11
Max. flow rate		gpm	22
Min. flow rate		gpm	0.5
Max. operating temperature		°F	194

Dimensions and weights			
Length without couplings			
Length without couplings	A	inch	5.12
Height ¹⁾	B	inch	5.2
Height from pipe centre line ¹⁾	C	inch	4.4
Installation depth from pipe centre line	W	inch	2.5
Weight without couplings		lbs	1.79

1) The dimension B and C increase by 20mm if lid is open

Ambient conditions	
Ambient temperature	+41 °F to +131 °F
Transport & Storage temperature	+5 °F to +149 °F
Register protection class	IP68

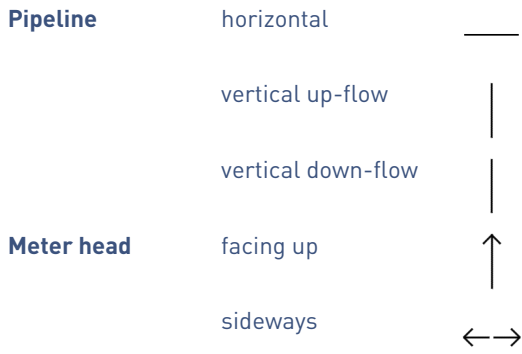
Power supply	
Lithium battery (not replaceable)	3 V DC
Typical battery lifetime (depending on environment and configuration conditions)	Up to 15 years



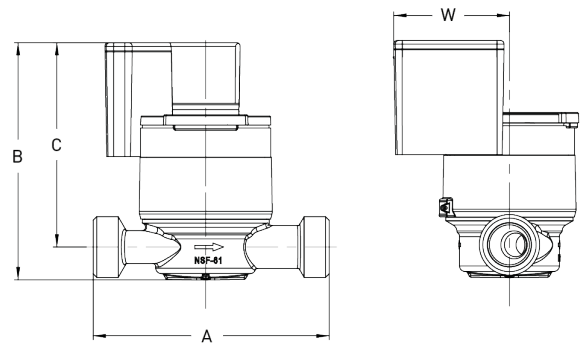
Approval	Uncico2coder MP
NTEP cold/hot No. CC 19-019A2	■
New York Certificate No. 10766	■
UL2043	■

Certifications	Uncico2coder MP
NSF/ANSI 61-G & 372 D-Hot / incl. cold	■
LoRa Alliance Certification (1.0.4 spec.)	■

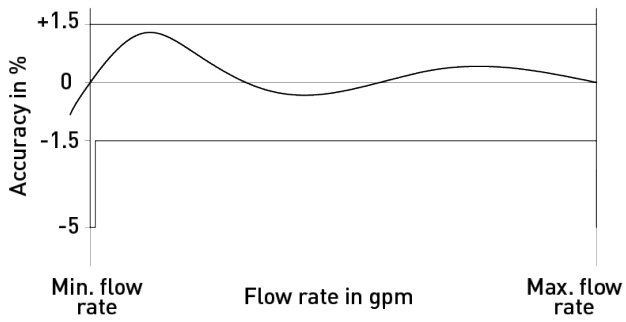
Installation



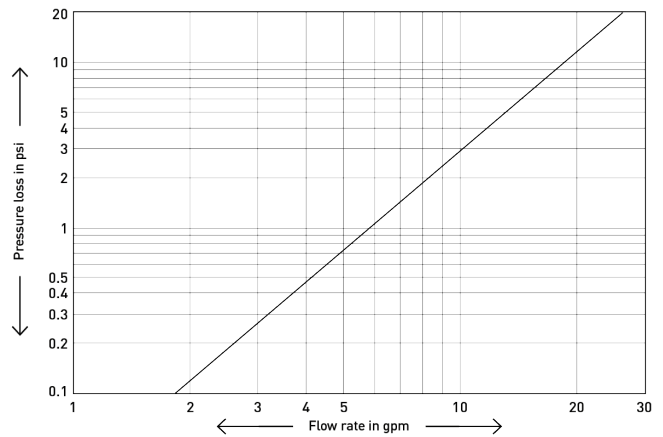
Dimension Diagram



Accuracy chart



Pressure loss chart



LoRaWAN specifications & Information data package

LoRaWAN specifications	
Regional parameters (Frequency band)	US902-928 MHz ISM Band (902 - 928 MHz)
Transfer protocol (payload)	GWF specific
Radiated power	max. 20 dBm (100 mW)
Class	A
ADR (Adaptive data rate)	Yes
Activation type	OTAA
FC Approval	FCC ID: 28165-RCMH200

Information data package	
DevEUI	70B3D538700000AB
Meter manufacturer ¹⁾	GWF
Medium ¹⁾	Water
Meter S/N ¹⁾	23123456
Absolute meter reading (down to 15 min values)	35.9 US gallons
Remaining battery life	Semester
Alarms	Battery, LoRaWAN link error, Continuous flow / leak, Backflow, Burst pipe, No Usage
Status ¹⁾	Manipulation

1) This data is read directly from the GWFcoder® MP register