

HRI

High-resolution pulse generator



Your benefits

- Load-free inductive scanning of the meter's pointer:
No influence on measuring behaviour
- Can be retrofitted without damaging the calibration seal:
Easy and fast on-site installation
- Electronic pulse generator:
No pulse bouncing

Properties

- Robust design
- Register is prepared for HRI recording
- Self-diagnostics
- Battery service life longer than 10 years
- Hermetically sealed body (IP68)
- Flow direction detection
- Cable length 5 m

Applications

- Pulse recording for Meistream series bulk water meters with **CE** Conformity (MID) and GWFcoder® register
- Industrial control applications with the FM-1D/K or FM-2D/K
- Control and regulation functions using control system or PLC

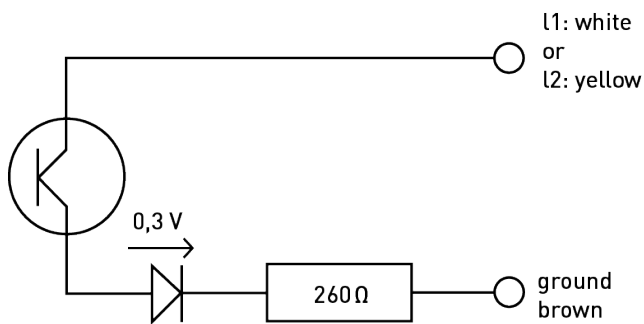
Pulse output mode

The HRI supports 2 different pulse output modes via 2 cables

Mode B4 (Standard)	Used only for pulse collectors with uses one pulse input	I1: Balanced pulses ¹⁾ I2: Error status ²⁾
Mode B2		I1: Forward pulses I2: Backward pulses

- 1) Backward pulses are balanced by suppressing an identical number of forward pulses.
2) The output I2 is normally closed. The status signal changes if an internal error (processor) is detected in the HRI.

Circuit diagram



Pulse output

Pulse value output	100, 1000 or 10000 litre /pulse
Pulse width	124 ms
Max. output frequency	5 Hz
U _{max}	24 V DC
U _{min}	3 V DC
I _{max}	0,02 A
P _{max}	0,48 W
Storage backward pulses	1'000'000

Pulse value output

Meter sizes	DN 40...125 1 Pulse = ...Liter	DN 150...300 1 Pulse = ...Liter
Meistream and Meistream Plus	100 1000	1000 10000

Temperature range

Storage	-20 to + 65 °C
Operation	-10 to + 65 °C