

HRI-Mei

High-resolution pulse generator



Your benefits

- Load-free inductive scanning of the meter's pointer:
No influence on measuring behaviour
- Can be retrofitted without damaging the calibration seal:
Easy and fast on-site installation
- Electronic pulse generator:
No pulse bouncing

Properties

- Robust design
- Register is prepared for HRI-Mei recording
- Self-diagnostics
- Battery service life longer than 10 years
- Hermetically sealed body (IP68)
- Flow direction detection
- Cable length 3 m

Applications

- Pulse recording for Meistream series bulk water meters with **CE** Conformity (MID) and standard pulser register
- Industrial control applications with the FM-1D/K or FM-2D/K
- Control and regulation functions using control system or PLC

Pulse output mode

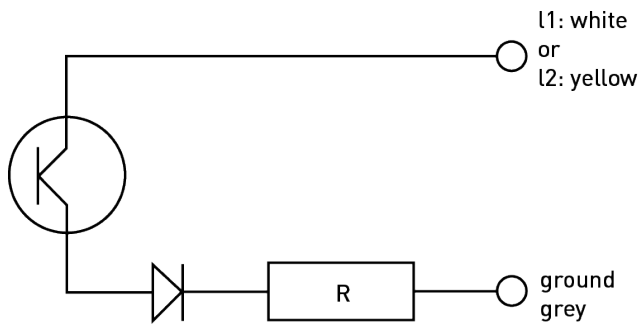
The HRI-Mei supports 3 different pulse output modes via 2 cables

Mode B4 (Standard)	Used only for pulse collectors with uses one pulse input	I1: Balanced pulses ¹⁾ I2: Error status ²⁾
Mode B3		I1: Forward / backward pulses I2: Flow direction signal
Mode B2		I1: Forward pulses I2: Backward pulses

1) Backward pulses are balanced by suppressing an identical number of forward pulses.

2) The output I2 is normally closed. The status signal changes if an internal error (processor) is detected in the HRI-Mei.

Circuit diagram



Pulse output

Pulse value output	1, 10, 100 or 1000 litre/pulse
Pulse width	32 ms
U _{max}	48 V DC
U _{min}	3 V DC
I _{max}	0,2 A
P _{max}	4 W

Pulse value output

Meter sizes	DN 40...125 1 Pulse = ... litre	DN 150...300 1 Pulse = ... litre
Meistream and Meistream Plus	10 100	100 1000

Temperature range

Operation	-10 to + 60 °C
-----------	----------------