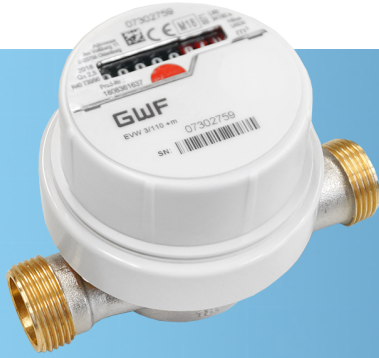




Water

GWF



UNIVERSAL EV

Single-jet water meter



Your benefits

- Compact design:
Minimal installation space required on site
- Easy installation:
Cost savings per metering point
- Prepared for communication module:
Retrofit capability ensured

Applications

- Water consumption measurement in building services
- Water meter for local or remote reading
- Available for nominal flow rate Q_3 2.5 m³/h or Q_3 4 m³/h

Properties

- Single-jet impeller meter, dry-running type, magnetic transmission
- Available with Q_3 2.5 or Q_3 4
- No inlet or outlet straight pipe section required
- Horizontal or vertical installation
- Register can be rotated on site to the desired display position
- Maximum operating pressure PN 16 bar
- Temperature 30 °C or 90 °C
- **CE** Conformity according to the European Measuring Instruments Directive (MID)

Options

- Communication module with 12-year battery and 1 m cable length
 - Pulse output
 - M-Bus according to EN 13757-2/-3
 - EquaScan-wMIU radio according to EN 13757-4

Installation positions

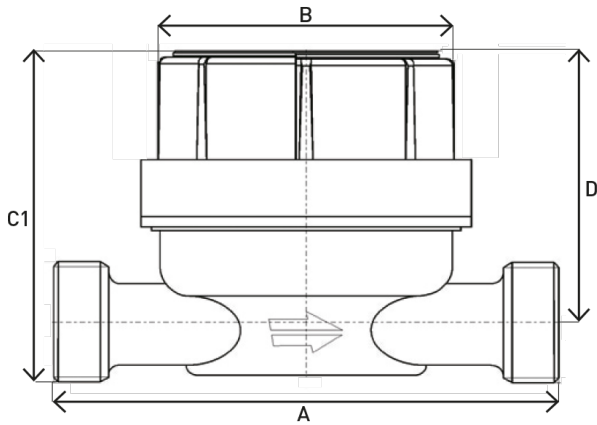
Pipeline:	horizontal	—
	vertical	
Head of meter	upwards	↑
	to the side	↔

Technical Data

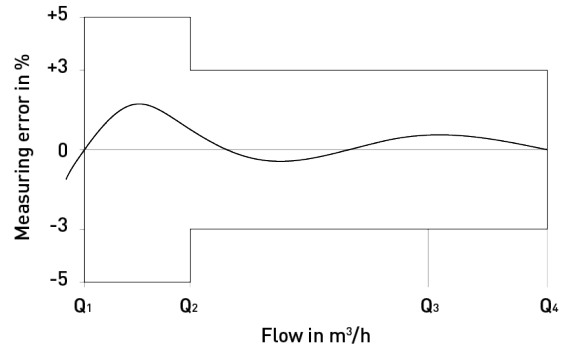
Technical Data				
Nominal diameter	DN	mm	15	20
Nominal pressure	PN	bar	16	16
Meter connection thread	G...A	Zoll	3/4	1
Union connection thread	R...	Zoll	1/2	3/4
Permanent flow rate	Q3	m³/h	2,5	4
Maximum flow rate	Q4	m³/h	3,125	5
Transitional flow rate ±2%	Q2	l/h	100	160
Minimum flow rate +/- 5%	Q1	l/h	62,5	100
Temperature		max.°C	90	90
Standard measuring range			R40	R40

Dimensions and weights				
Lenght	A	mm	110	130
length without couplings		mm	184	222
Width	B	mm	72	72
Height	C1	mm	71	76
Height from center of pipe	D	mm	57	62
Weight without couplings		approx. g	485	682

Dimension Diagram



Measuring error curve



Druckverlustkurve

