



UNICO[®] VoMe

Single jet flow meter



Your benefits

- Robust, high grade wear resistant materials:
Excellent measuring stability and reliability
- Measurement of lowest flow rates:
Increased cost effectiveness

Applications

- Volume measuring meter as component to heat measurement or for solar installations
- For flow rates up to 2,5 m³/h

Properties

- Single jet dry-dial meter with magnetic coupling
- Register can be turned for best readout position
- Maximum operating pressure PN 16 bar
- Maximum operating temperature 90 °C or 120 °C
- Horizontal or vertical installation
- Reed pulser IPG14 with 1,5 m cable (Standard pulse value 2,5 litres)
- High grade wear resistant and corrosion proof materials
- Inlet strainer
- Magnetic protective cover against external influences
- **CE** Conformity according to European Measuring Instruments Directive (MID)
- Environmental class B, Accuracy class 3

Options

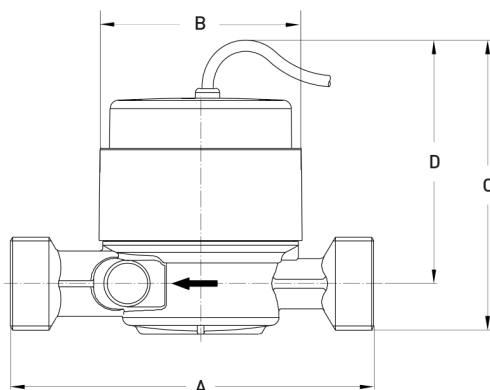
- Drilling for temperature sensor directly mounted to meter according to EN 1434 for 130 mm execution
- Other measuring ranges
- Reed pulser IPG14 with 3 m cable
- Different pulse values
 - [Documentation: IPG14](#)

Technical Data

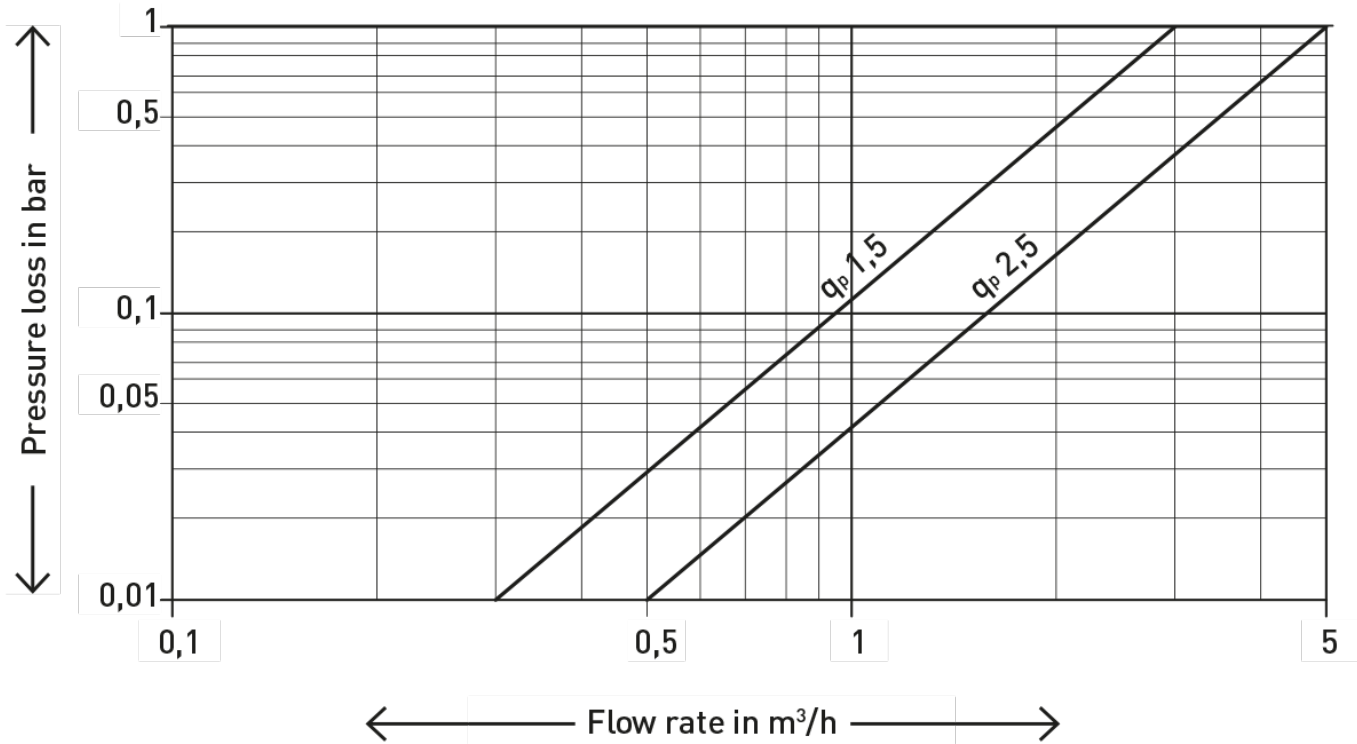
Execution						
Nominal diameter	DN	mm	15	20	20	20
Operating pressure	PN	bar	16	16	16	16
Connection thread on meter	G...B	Inch	3/4	1	1	1
Connection thread on coupling	R...	Inch	1/2	3/4	3/4	3/4
Nominal flow rate	q _p	m ³ /h	1,5	1,5	1,5	2,5
Maximum flow rate	q _s	m ³ /h	3	3	3	5
Minimum flow rate horizontal ± 5 %	q _i	l/h	30	30	30	50
Minimum flow rate vertical ± 5 %	q _i	l/h	60	60	60	100
Kvs-value		m ³ /h	3	3	3	5
Operating temperature range		°C	2... 90/120	2... 90/120	2... 90/120	2... 90/120
Standard measuring range horizontal	q _i /q _p		1:50	1:50	1:50	1:50
Standard measuring range vertical	q _i /q _p		1:25	1:25	1:25	1:25

Dimensions and weights						
Length without couplings	A	mm	110	110	130	130
Length with couplings		mm	184	202	222	222
Width	B	mm	72	72	72	72
Height with pulser and magnetic protection cover	C	mm	108	108	108	108
Height from pipe centre	D	mm	90	90	90	90
Weight without couplings		app. g	760	810	840	790





Dimension Diagram



Typical Head Loss Curve



Installation

- Pipeline:** horizontal 
- vertical 
- Meter head:** upwards 
- sideways 

Pulse Value Table

Pulse Value Table								
Pulse value	q _p	1,5	-	0,25	1	2,5	10	25
(1 Pulse = ...Liter)	q _p	2,5	1	2,5	10	25	100	250