



Water

GWF



UPZ +m MK

Measuring capsule counter



Your benefits

- Compact design:
Minimal installation space required on site
- Easy installation and replacement:
Cost savings per metering point
- Prepared for communication module:
Retrofit capability ensured

Applications

- Water consumption measurement in building services
- Available for nominal flow rate Q₃ 2,5m³/h or Q₃ 4 m³/h
- Water meter for local or remote reading
- Pre-wall, surface-mounted or flush-mounted installation

Properties

- Single-jet capsule meter, dry-running type
- Available with Q₃ 2,5 and Q₃ 4
- Installation
 - Q₃ 2.5: No inlet or outlet straight pipe section required
 - Q₃ 4: Inlet straight pipe section 5 × DN required; no outlet straight pipe section required
- Universal installation position
- Register can be rotated on site to the desired display position
- Maximum operating pressure PN 10 bar
- Temperature 0.1 °C – 90 °C
- Optimal integration into sanitary fitting systems in modern residential construction
- Easy flushing of the pipe before installation of the measuring capsule using a blind plate
- Rosettes round and chrome-plated
- **CE** Conformity according to the European Measuring Instruments Directive (MID)

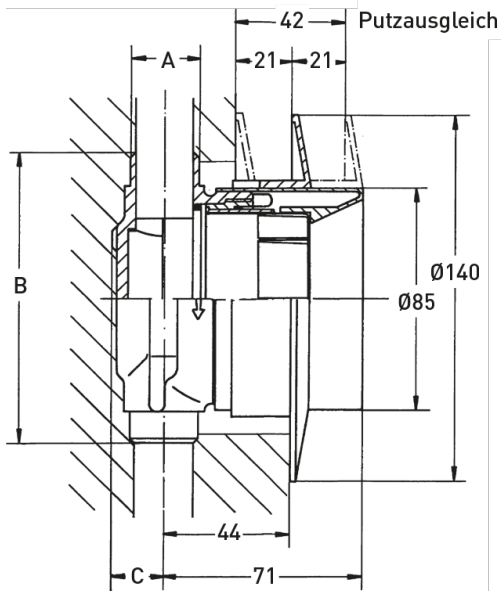
Options

- Communication module with 12-year battery and 1 m cable length
 - Pulse output
 - M-Bus according to EN 13757-2/-3
 - EquaScan-wMIU radio according to EN 13757-4



- Various accessories available

Dimension Diagram



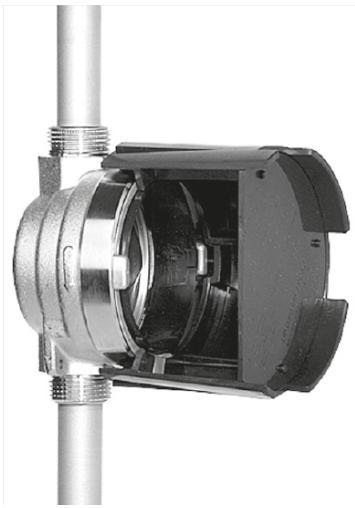
Technical Data

Nominal diameter	DN	mm	15	20
Nominal pressure	PN	bar	10	10
Permanent flow rate	Q3	m ³ /h	2,5	4
Maximum flow rate	Q4	m ³ /h	3,125	5
Transitional flow rate ±2%	Q2	l/h	100	160
Minimum flow rate +/- 5%	Q1	l/h	63	100
Pressure loss at Q3		bar	0,62	0,62
Temperature		max. °C	30/90	30/90
Measuring range			R40	R40

1) Cold water range ±2%

Dimensions Connections A		Length (B)	Wall distance to pipe center (C)
1/2" external thread	15mm Löt	110 mm	15 mm
3/4" external thread	18mm Löt	110 mm	15 mm
	22mm Löt	110 mm	15 mm
1/2" internal thread		110 mm	15 mm
3/4" internal thread		110 mm	15 mm
1" external thread 1)		130 mm	20 mm

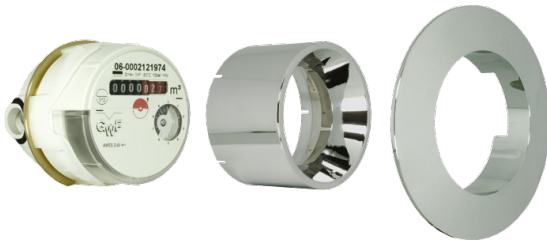
1) Only measuring capsule Q3 4 can be used!



Installation kit

- Single-pipe connection piece (EAT)
- Blind plate for flushing the pipeline (PN 10/16)
- O-ring seal
- Head ring
- Installation protection cap (also serves as installation wrench and template for wall opening)
- Installation instructions

Measuring insert



- Measuring capsule with 8-digit roller register, rotatable 360°, integrated dirt strainer, with lifting ring
- O-ring seal
- Plastic cylinder (chrome-plated)
- Plastic rosette (chrome-plated)
- Plastic seal
- Installation instructions

Installation positions

Pipeline:	horizontal	—
	vertical	
Head of meter	upwards	↑
	to the side	↔

Installation note

UPZ capsule meters are splash-proof.

Attention: The use of these meters in areas with continuously high condensation humidity (e.g. direct shower areas or underground pits) should be avoided, as moisture may diffuse through the plastic register cover over time and impair readability.

Install in a frost-protected location.

	Blind rosette Diameter 140 mm and cylinder with blind plate. If initially only the EAT is to be installed, the blind rosette neatly covers the wall opening from the outside.
	Rosette Diameter 140 mm, chrome-plated
	Cylinder Diameter 85 mm, chrome-plated
	Extension with lens Chrome-plated cylinder extendable by 60 mm, with plastic lens. For recessed meters, e.g. in pre-wall installations, the plastic lens closes the extension flush with the wall at the front (optical magnification of the register and thus easier reading).
	Simple extension Extension as described above, but without lens.
	Installation wrench