



Water

GWF



UPZ +m KOAX

Measuring capsule counter



Your benefits

- Compact design:
Requires little installation space on site
- Easy installation and replacement:
Cost savings per measuring point
- Prepared for communication module:
Retrofitting guaranteed

Applications

- Water consumption measurement in building services engineering
- Available for nominal flow rate Q₃ 2.5 m³/h
- Water meter for local or remote reading
- Also suitable for KOAX 2" shut-off sections
- Auch passend in Absperrstrecken System KOAX 2"

Properties

- Multi-jet capsule meter, dry runner MOF
- Q₃ 2.5 with 2" connection thread
- No inlet or outlet section required
- Universal installation position
- The counter can be rotated to the desired display position at the installation site
- Maximum operating pressure PN 10 bar
- Temperature 0.1°C - 90°C
- Optimal integration into the sanitary fittings range in modern residential construction
- Easy flushing of the pipe before installing the measuring capsule with the aid of a blind flange
- Round, chrome-plated rosettes
- **CE** Compliance with the European Measuring Instruments Directive (MID)
- Also available in lead-free version.

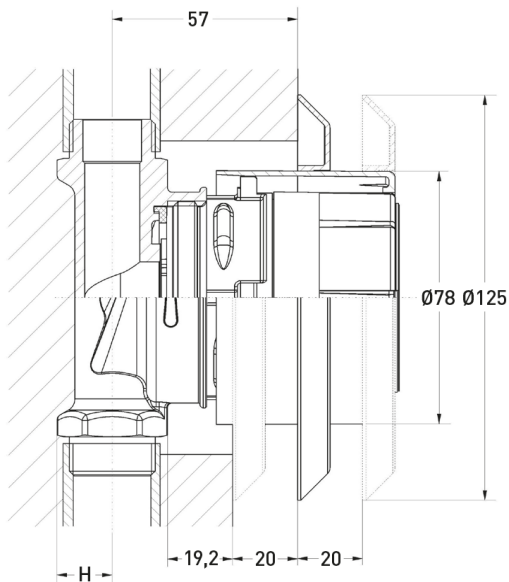
Options

- Communication Module (TMP-F M-Bus) with power supply and 1 m cable length
 - Pulse output, S0 compliant
 - M-Bus according to EN 13757-2/-3, OMS compliant
- Water Meter / Valve Block, Flush-Mounted (UP-Fix), Coaxial

[Dokumentation: UP-Fix KOAX 20-1 und 20-2 - EPe20601](#)



Dimension Diagram



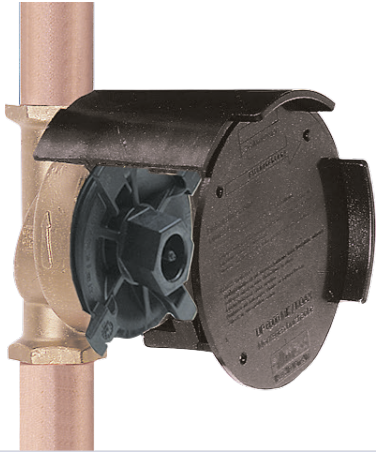
Technical Data

Installation Position			horizontal
Nominal diameter	DN	mm	15
Nominal pressure	PN	bar	10
Permanent flow rate	Q3	m ³ /h	2,5
Maximal flow rate	Q4	m ³ /h	3,125
Transitional flow rate ±3% ¹⁾	Q2	l/h	100
Minimum flow rate ±5%	Q1	l/h	63
Pressure loss at Q3		bar	0,45
Temperature		max.°C	30/90
Measuring range			R40

¹⁾Kaltwasserbereich ±2%

Connections	Length	Distance to wall from center of pipe (H)
1/2" internal thread	110 mm	17,5 mm
3/4" internal thread	110 mm	17,5 mm
3/4" external thread	110 mm	15 mm

Mountik kit



- Single-Pipe Connection Unit (EAT)
- Blind Flush Cap for Line Flushing (PN 10/16)
- Flat Gaskets
- Installation Protection Cap (also serves as installation wrench and template for wall recess)
- Installation Instructions

Measuring insert



- Measuring capsule with 8-digit roller counter, rotatable through 360°, integrated dirt filter
- Flat gasket
- Plastic cylinder (chrome-plated)
- Plastic rosette (chrome-plated)
- Wire seal
- Installation instructions



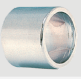

Installation positions

Pipeline:	horizontal	—
	vertical	
Head of meter:	upwards	↑
	to the side	↔

Installation note

UPZ KOAX capsule meters are splash-proof. Caution: These meters should not be used in areas with constantly high levels of condensation (e.g., directly in shower areas or earth shafts), as moisture can diffuse through the plastic meter cover over time and impair readability. Install in a frost-proof location!

Accessories

	Blind Rosette Diameter 125 mm and cylinder with blind plate. If initially only the EAT is to be installed, the blind escutcheon neatly covers the wall opening on the outside.
	Rosette Diameter 125 mm, chrome-plated
	Cylinder Diameter 85 mm, chrome-plated
	Installation Wrench