



Your benefits

- Robust, high grade wear resistant materials:
Excellent measuring stability and reliability
- Measurement of low flow rates:
Increased cost effectiveness

Applications

- Residential consumption monitoring of water consumption within an entire building
- Wall installation
- For nominal flow rates up to 4 m³/h

Properties

- Single jet dry-dial meter with magnetic coupling
- Register can be turned for best readout position
- Maximum operating pressure PN 16 bar
- Maximum operating temperature 90 °C
- Horizontal or vertical installation
- 5 dial resolution
- High grade wear resistant and corrosion proof materials
- Inlet strainer
- Reconditionable and recyclable execution
- **CE** Conformity according to European Measuring Instruments (MID)

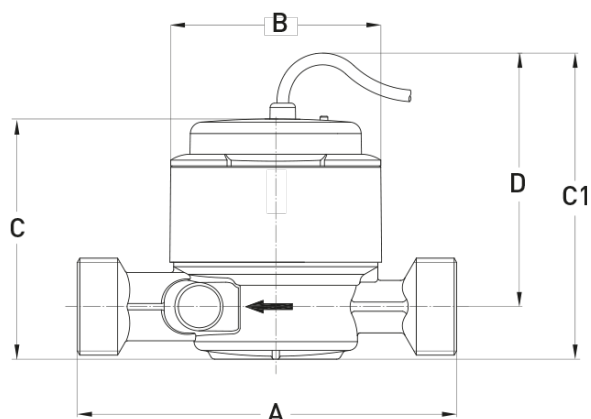
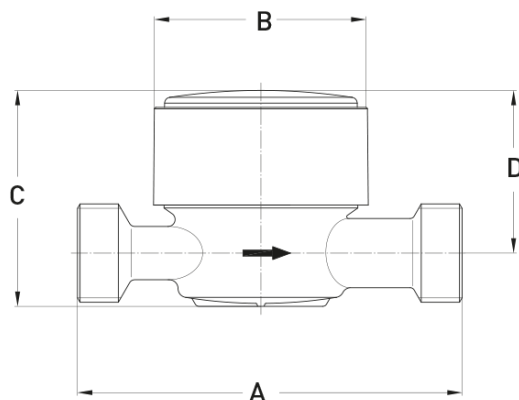
Options

- Reed pulser IPG14 with 1,5 m or 3 m cable for the transmission to remote or centralised indication devices (Standard pulse value 10 liters)
- Other measuring ranges
- 1" NPSM connection thread on meter for 130 mm execution
- Other pulse values
 - [Documentation: IPG14 - EPe40217](#)

Installation

Pipeline:	horizontal	—
	vertical	
Meter head:	upwards	↑
	sideways	↔

Dimension Diagram



Technical Data

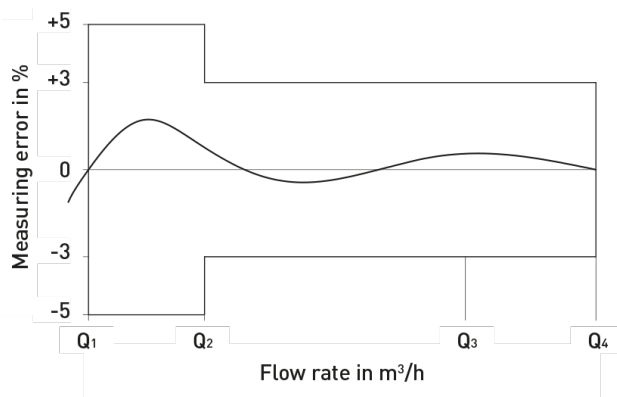
Nominal diameter	DN	mm	15	20	20	20
Operating pressure	PN	bar	16	16	16	16
Connection thread on meter	G...B	Inch	3/4	1	1	1
Connection thread on coupling	R...	Inch	1/2	3/4	3/4	3/4
Nominal flow rate	Q3	m ³ /h	2,5	2,5	2,5	4
Maximum flow rate	Q4	m ³ /h	3,125	3,125	3,125	5
Partial limit horizontal ±3%	Q2h	l/h	50	50	50	80
Partial limit vertical ±3%	Q2v	l/h	100	100	100	160
Minimum flow rate horizontal ±5%	Q1h	l/h	31,3	31,3	31,3	50
Minimum flow rate vertical ±5%	Q1v	l/h	62,5	62,5	62,5	100
Temperature		max. °C	90	90	90	90
Measuring range horizontal			R80	R80	R80	R80
Measuring range horizontal			R40	R40	R40	R40

Dimensions and weights						
Length without couplings	A	mm	110	110	130	130
Length with couplings		mm	184	202	222	222
Width	B	mm	72	72	72	72
Height without Reed pulser	C	mm	72	72	72	72
Height with Reed pulser	C1	mm	108	108	108	108
Height from pipe centre	D	mm	90	90	90	90
Weight without couplings		app. g	610	640	700	700

Certifications					
UBA brass	x	x	x	x	x
KTW / W270	x	x	x	x	x
WRAS (Type: Unico2)	x	x	x	x	x
NSF-61-G (Type: Unico2)	-	-	x ¹⁾	x ¹⁾	x ¹⁾

¹⁾only 1" NPSM execution

Measuring error curve



Typical Head Loss Curve

