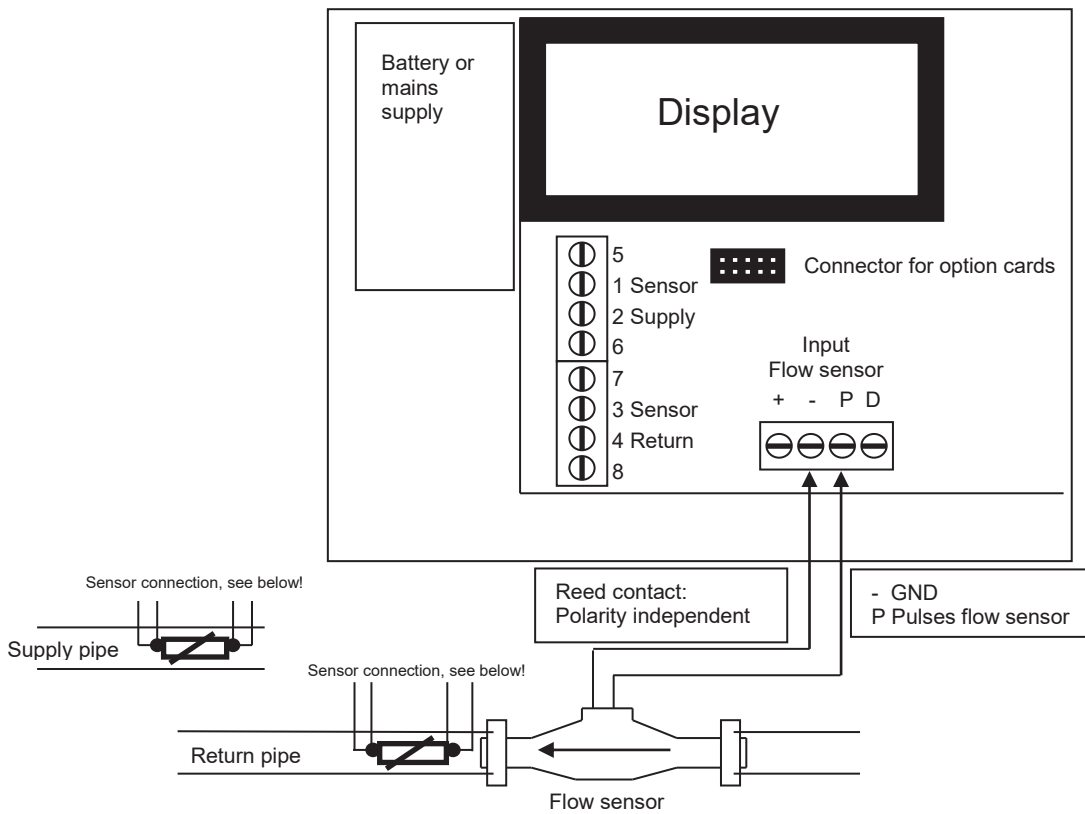


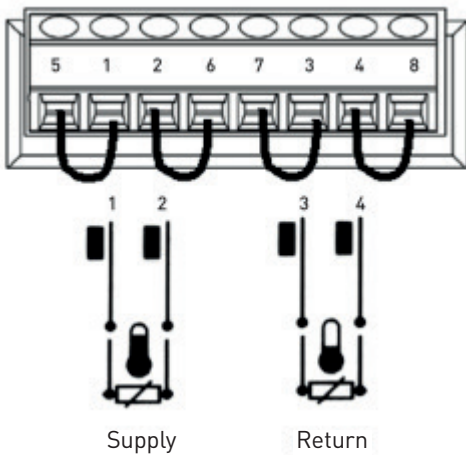


Connection diagram CF 55

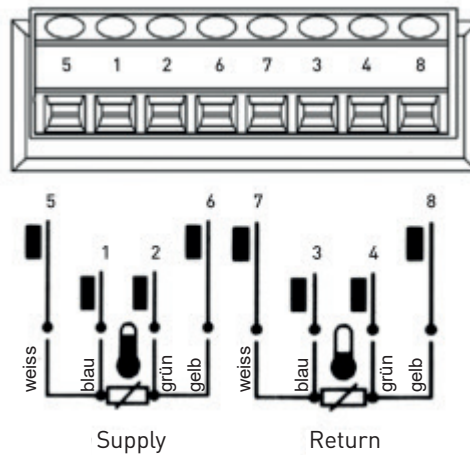


Sensor connection

2-wire technology



4-wire technology



Option cards

M-Bus + 2 water meter inputs

86	Water meter Input 1 -
87	Water meter Input 1 +
88	Water meter Input 2 -
89	Water meter Input 2 +
24	M-BUS
25	M-BUS

M-BUS + pulse outputs

16	Pulse output 1
17	Pulse output 1
18	Pulse output 2
19	Pulse output 2
24	M-BUS
25	M-BUS

Max 1 Hz Impulse length 250ms U_{\max} 30V, I_{\max} 20 mA Optocoupler, passive, polarity independent
--

LON + 2 water meter inputs

86	Water meter Input 1 -
87	Water meter Input 1 +
88	Water meter Input 2 -
89	Water meter Input 2 +
38	LON
39	LON
37	LON Power supply +
36	LON Power supply -

M-Bus Power + 2 water meter inputs

86	Water meter Input 1 -
87	Water meter Input 1 +
88	Water meter Input 2 -
89	Water meter Input 2 +
24	M-Bus
25	M-Bus

Max 5 Hz Impulse length min. 100 ms
--

Double - M-Bus

24	M-Bus 1
25	M-Bus 1
34	M-Bus 2
35	M-Bus 2