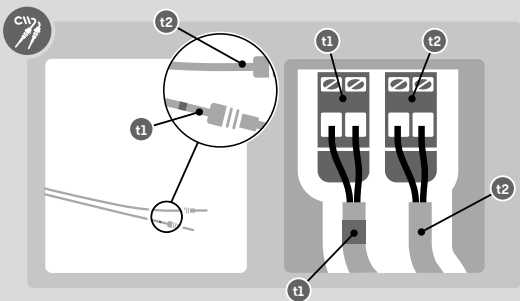
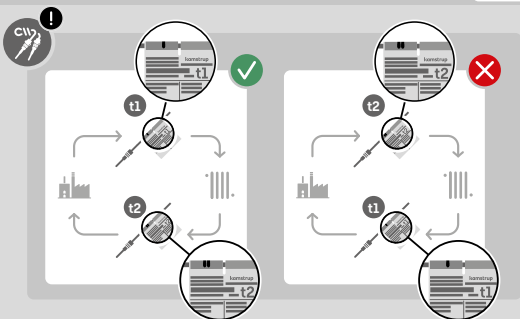




1/8





2/8

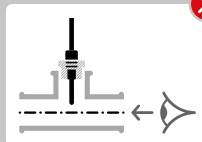
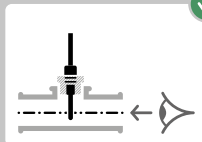


[x1] t1

[x2] t2

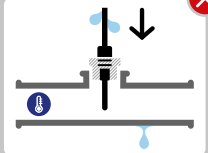
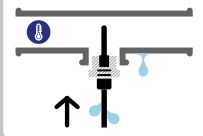
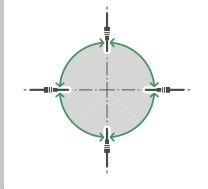
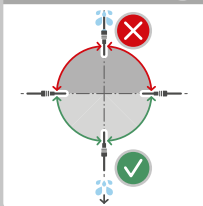
[x0] t3

	t1	t2	t3





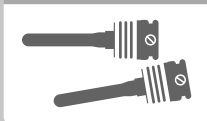
3/8



PN16



PN25

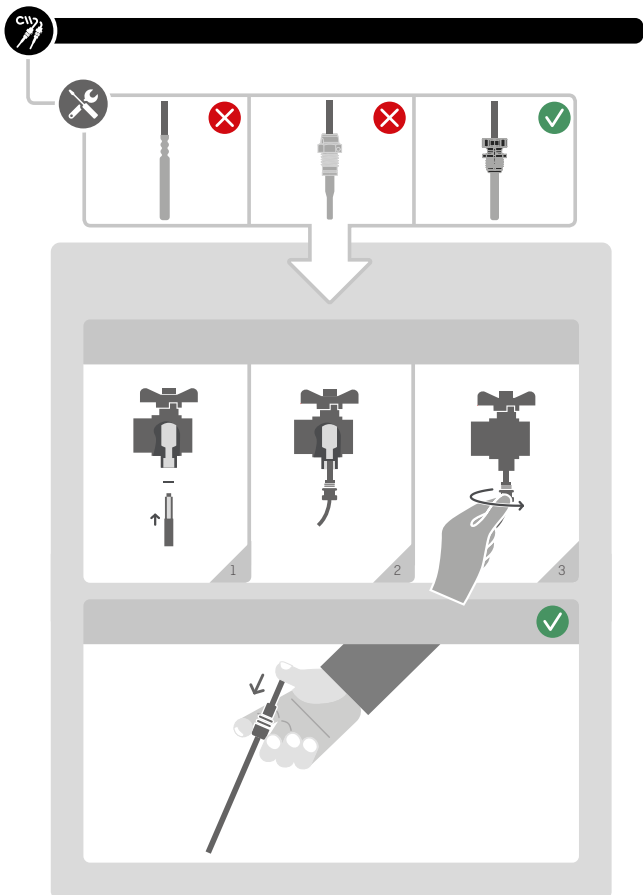


PN16



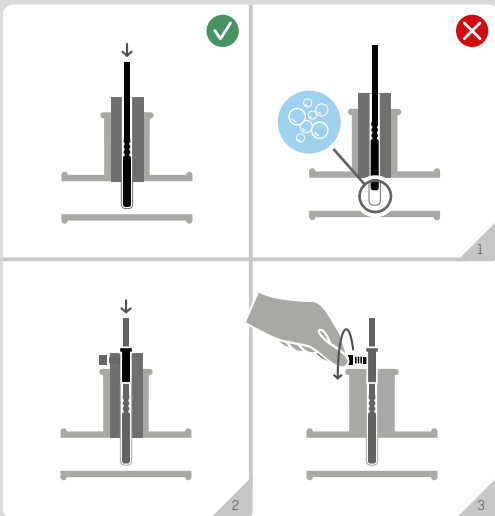
PN25







6/8





5/8

