



Water

**GWF**

**GWF4D** technology®

# SONICO® EDGE

THE WORLD'S MOST ADVANCED  
FLOWMETER



## Your benefits

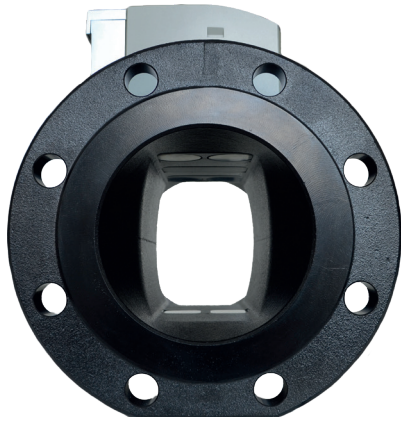
- > 4D technology® measures best in class high and low flows (2 inch: Start flow down to 0.02 gpm and up to > 396 gpm).  
**Immediate detection of leakages and network errors, suitable for fire flow.**
- > Maximum installation flexibility.  
**Reliable measurements over the full flow range, independent of installation conditions. No straight runs needed even with 90 ° elbows, valves or pumps.**
- > Accuracy by design: 4D technology® maximizes turndown ratio up to R1000.  
**Highest accuracy across the entire flow profile leads to a cutting edge dynamic range.**
- > Homogeneous 4D-shape measuring pipe with dry sensors and no obstacles or cavities.  
**Minimal pressure loss enhances high flow capability and minimizes operating costs. Dry sensors lead to increased meter lifetime, reliability and dirt resistance.**

## Features

- > Minimal pressure loss < 0.58 psi
- > U0/D0, no need for flow conditioners
- > Pressure ratings up to 250 psi
- > Bidirectional flow measurement
- > Medium temperature range 32.18 °F to + 122 °F
- > Ambient temperatures from -4 °F up to 158 °F
- > Degree of protection IP68
- > Tamper-proof
- > Integrated medium temperature measurement
- > Air detection
- > External power supply
- > Drinking water approval NSF-61 D-HOT
- > Approved automatic detection of the direction of flow according to WELMEC 7.2 European Legal Metrology

## Applications

- > Water measurement, e.g. drinking water or utility water (reservoirs, pumping stations, etc.)
- > Suitable for difficult installation conditions such as placement directly before or after 90 ° elbows, valves or pumps
- > The time-reverse acoustic principle enables a new level of measuring repeatability unaffected by flow perturbations, electromagnetic or grounding interference and water conductivity



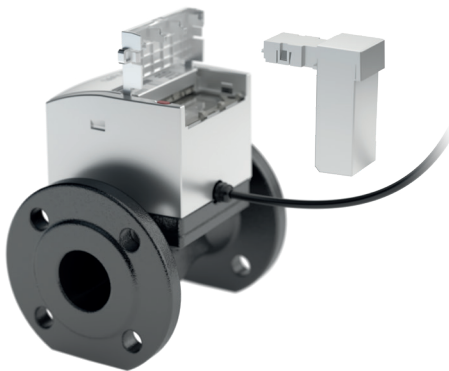
## 4D-shape measuring core

---

Due to the unique 4D-shape pipe design and the implemented 4D technology®, the measurement is independent of the flow profile. Dry sensors guarantee a highly accurate and reliable measurement performance over the entire meter lifetime.

The 4D-shape measuring core allows for installation of the meter directly behind a 90 ° bend or a valve. This flexibility results in minimal installation costs, since no additional on-site work has to be considered.

SONICO® EDGE – in Germany and Switzerland developed and produced. The patented time reverse acoustic principle enables a new level of measuring repeatability unaffected by flow perturbations, electromagnetic or grounding interference and water conductivity.



## Ultimate communication

---

The 4D technology® platform supports a Near Field Communication (NFC) interface that ensure sustained connectivity during the entire product lifetime.

Maximum two of the following available communication module can be attached to the flexible NFC communication interface in parallel:

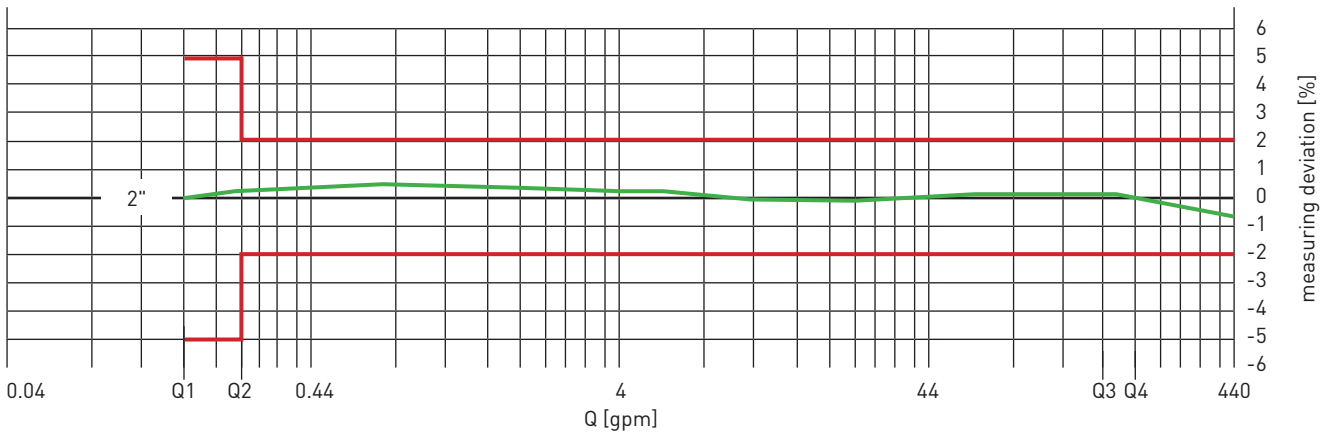
- > Pulse: Pulse output configurable
- > Current: 4-20 mA output configurable for uni- or bidirectional measurements
- > ECO E1 or E2: Low Power serial data interface (e.g. to connect a NB-IoT Modem)
- > ModBus: Modbus RTU/ASCII protocol with extended flowmeter data

## Technical data as acc. to MID/OIML certification

Nominal flow rate		inch	2	3	4	6	8	10	12
Q3/Q1			1000	1000	1000	1000	1000	1000	1000
Starting flow rate	Q <sub>start</sub>	gpm	0.11	0.22	0.35	0.88	1.32	1.98	2.64
	V <sub>start</sub>	ft/s	0.02	0.01	0.01	0.02	0.01	0.02	0.02
Minimum flow rate ± 5 %	Q <sub>1</sub>	gpm	0.18	0.44	0.70	1.76	2.77	2.77	4.40
	V <sub>1</sub>	ft/s	0.03	0.03	0.03	0.03	0.03	0.03	0.03
Transitional flow rate ± 2 %	Q <sub>2</sub>	gpm	0.28	0.70	1.13	2.82	4.45	4.4	7.05
	V <sub>2</sub>	ft/s	0.04	0.04	0.04	0.05	0.04	0.04	0.04
Nominal flow rate ± 2 %	Q <sub>3</sub>	gpm	176.1	440.3	704.5	1761.1	2773.8	2773.8	4402.9
	V <sub>3</sub>	ft/s	24.8	27.6	27.4	29.2	27.5	27.5	27.4
Overload flow rate	Q <sub>4</sub>	gpm	220.1	550.4	880.6	2201.4	3467.3	3467.3	5503.6
	V <sub>4</sub>	ft/s	31.1	34.5	34.3	36.5	34.3	34.3	34.3
Maximal flow rate	Q <sub>max</sub>	gpm	396.3	880.6	1320.9	2641.7	4843.1	4843.1	8805.7
	V <sub>max</sub>	ft/s	55.9	55.2	51.4	43.9	47.9	47.9	54.8
Maximum water temperature	T	°F	122	122	122	122	86	86	86
Nominal pressure	PN	psi	250	250	250	250	250	250	250

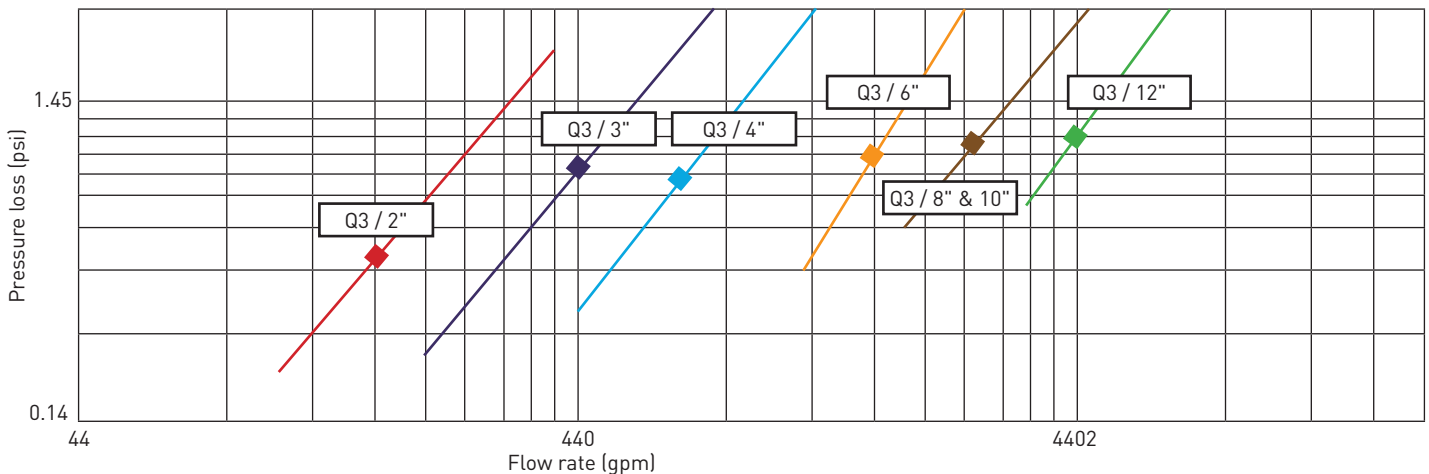
## 4D technology® measuring accuracy

4D technology® offers a bidirectional turndown ratio R1000 and is extremely robust against changes in the flow profile caused by bends, valves or pumps. The patented time-reverse acoustic principle enables a new level of measuring repeatability independent of flow conditions, electromagnetic or grounding interference and medium conductivity.



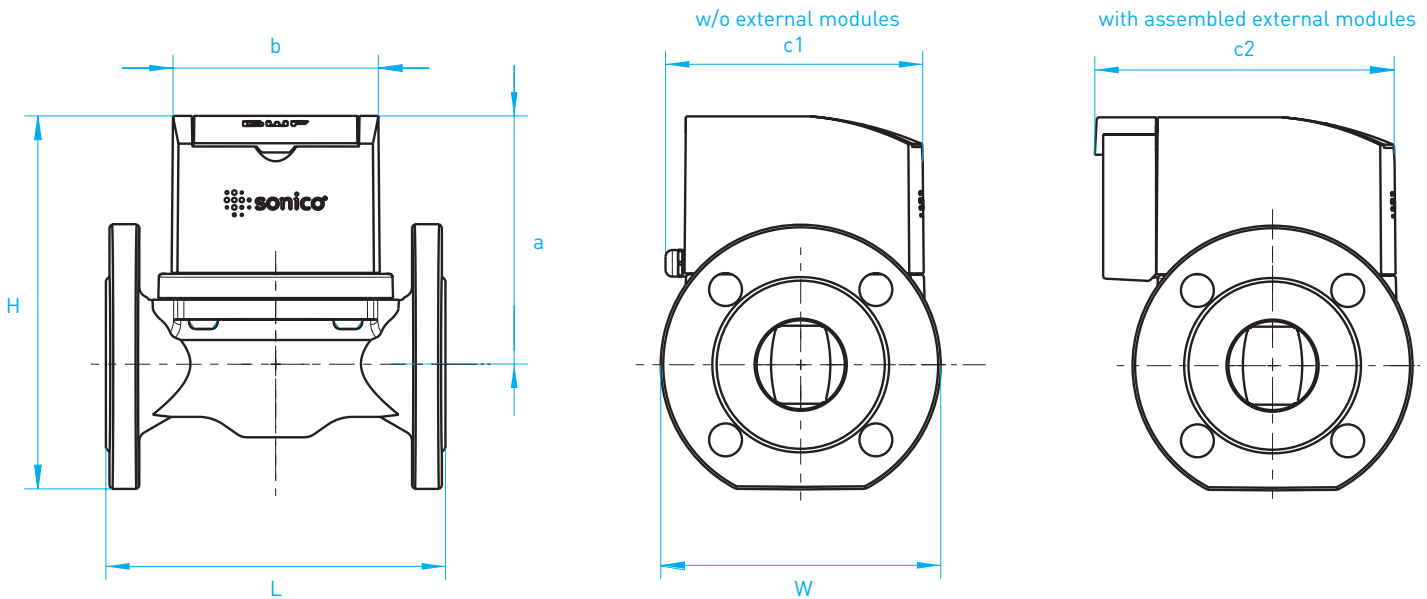
## Typical pressure loss curve

The homogeneous 4D-shape measuring pipe ensures minimal pressure loss (< 0.58 psi on 2" @ Q3), offering highest reliability at lowest operational costs.



# FACTS → SONICO® EDGE

## Dimensions and weight



Nominal size		L (inch)	H (inch)	W (inch)	a (inch)	b (inch)	c1 (inch)	c2 (inch)	Weight (lbs)
mm	inch								
50	2	7.87	8.66	65.2	5.8	4.8	5.98	6.96	28.66
80	3	7.87	9.84	7.87	6.22	4.8	5.98	6.96	35.27
100	4	9.84	10.63	8.66	6.65	4.8	5.98	6.96	26.45
150	6	11.81	13.23	11.22	7.95	4.8	5.98	6.96	72.75
200	8	13.78	15.55	13.4	9.21	4.8	5.51	6.96	132.27
250	10	17.72	16.73	16.14	9.49	4.8	5.98	6.96	180.78
300	12	19.68	18.70	18.11	9.92	4.8	5.51	6.96	253.53
Connection		Flanges: ASME/ANSI Class 150							

## Materials

Measuring channel:

- > KTL- and powder-coated grey cast iron

Measuring adapter:

- > KTL- and powder-coated grey cast iron

IP68 sealing:

- > Screwed steel frame with glass and flat seal

Housing:

- > ASA Luran plastic

## Power supply

SONICO® EDGE can be powered either mains (with suitable DC adapter) or by an external battery source<sup>1</sup>.

### Mains power supply data:

- > Input voltage: 24 V DC ± 10 %
- > Max. charging current: 250 mA
- > The integrated back-up battery (UPS<sup>2</sup>) ensures autonomous measurements for 24 h if external power supply is interrupted.

<sup>1</sup>) The external battery source to be provided by the customer. Examples may include eg solar power or wind turbine.

<sup>2</sup>) UPS – Uninterruptible Power Supply

## Approvals

CE Design-examination Certificate in conformity with:

- > 2014/32/EU (MID) (2019)
- > OIML R49:2013 (2019)

Drinking water approvals:

- > KTW / W270 (2019)
- > SVGW
- > NSF-61
- > WRAS

# GWF

GWF AG  
Obergrundstrasse 119  
6005 Lucerne, Switzerland

T +41 41 319 50 50  
info@gwf.ch

Technical support  
T +41 41 319 52 00  
support@gwf.ch

→ [gwf.ch](http://gwf.ch)